



The new degree of comfort.™

## Rheem High Efficiency Air Handler



### RH1T (Piston) Series Constant Torque Motor (ECM) Efficiencies up to 14 SEER



- The RH1T feature a Constant Torque motor (ECM) and a piston refrigerant control for efficient and reliable operation.
- Versatile 4-way convertible design for upflow, downflow, horizontal left and horizontal right applications.
- Factory-installed indoor coil.
- Sturdy cabinet construction with 1.0 inch [25.4 mm] of foil faced insulation for excellent sound and insulating characteristics.
- Field-installed auxiliary electric heater kits provide exact heat for indoor comfort. Kits include circuit breakers which meet U.L. and cUL requirements for service disconnect.
- 1½ ton [5.3 kW] through 5 ton [17.6 kW] models are between 42½ to 57 inches [1080 to 1448 mm] tall and 22 inches [559 mm] deep.
- All models meet or exceed 330 to 400 CFM [156 to 189 L/s] per ton at .3 inches [.7 kPa] of external static pressure.
- Enhanced airflow up to .7" external static pressure.
- Evaporator is constructed of aluminum fins bonded to internally grooved aluminum tubing.
- Suitable for application in mobile homes.

## TABLE OF CONTENTS

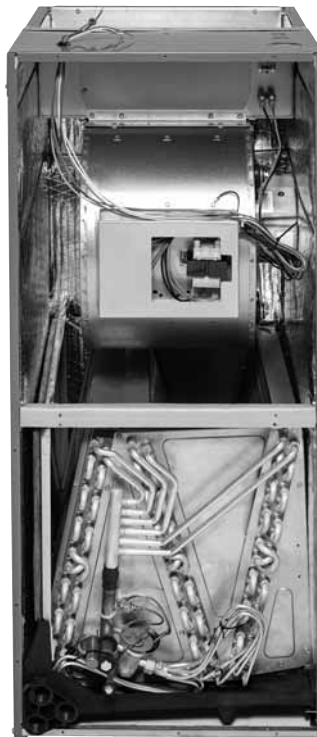
|                                     |       |
|-------------------------------------|-------|
| Engineering Features .....          | 3     |
| Model Number Identification .....   | 4     |
| Dimensional Data .....              | 5-6   |
| Airflow Directional Data .....      | 7     |
| Airflow Performance Data RH1T ..... | 8-10  |
| Electrical Data RH1T .....          | 11-13 |
| Electrical Wiring .....             | 14    |
| Accessories .....                   | 14    |
| Limited Warranty .....              | 15    |

## Engineering Features

### RH1T (Piston) Series

- The most compact unit design available, all standard heat air handler models only 42<sup>1</sup>/<sub>2</sub> to 57 inches [1079 to 1448 mm] high.
- Attractive pre-painted cabinet exterior.
- Rugged wall steel cabinet construction, designed for added strength and versatility.
- 1.0" foil faced insulation mechanically retained in blower compartment for excellent thermal and sound performance.
- Four leg blower motor mount.
- Blower housing with controls, motor and blower. Slide out design for service and maintenance convenience.
- Traditional open wire element design for heat applications.
- Field convertible for vertical downflow, horizontal left hand or right hand air supply.
- 3 combustible floor base accessories fit all model sizes when required for downflow installations on combustible floors.
- Indoor coil design provides low air side pressure drop, high performance and extremely compact size.
- Piston refrigerant control on indoor coil provides for reliable operation when matched with the RP14 Piston Heat Pump.
- Coils are constructed of aluminum fins bonded to internally grooved aluminum tubing.
- Coils are tested at the factory with an extensive refrigerant leak check.
- Coils have copper sweat refrigerant connections.
- Coils utilize chatleff metering device connections.
- Molded polymer corrosion resistant condensate drain pan is provided on all indoor coils.
- Supply duct flanges provided as standard on air handler cabinet.
- Provisions for field electrical, connections available from either side or top of the air handler cabinet.
- Connection point for high voltage wiring is inside the air handler cabinet. Low voltage connection is made on the outside of the air handler cabinet.
- Concentric knockouts are provided for power connection to cabinet. Installer may pull desired hole size up to 2 inches [51 mm] for 1<sup>1</sup>/<sub>2</sub> inch [38 mm] conduit.
- Front refrigerant and drain connections.

[ ] Designates Metric Conversions

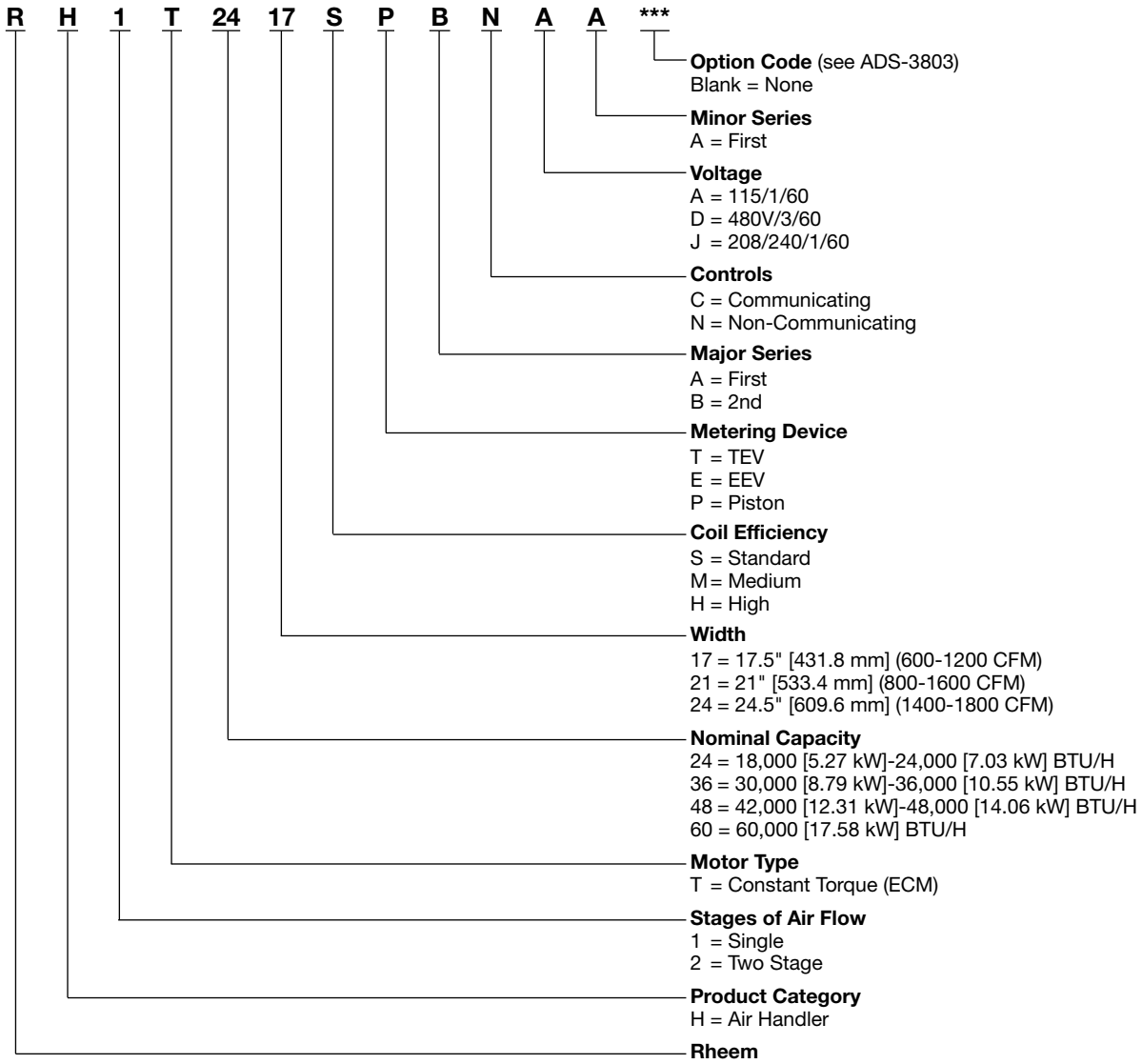


TXV Shown



Air

Model Number Identification  
RH1T (Piston) Series



[ ] Designates Metric Conversions

| <b>Available Models at 115V A Voltage</b> |
|---|
| RH1T2417SPBNAA                            |
| RH1T3617SPBNAA                            |
| RH1T4821SPBNAA                            |

| <b>Available Models at 208V J Voltage</b> |
|---|
| RH1T2417SPBNJA                            |
| RH1T3617SPBNJA                            |
| RH1T4821SPBNJA                            |



# Unit Dimensions

ELECTRICAL CONNECTIONS  
MAY EXIT TOP OR EITHER SIDE  
HIGH VOLTAGE CONNECTION 7/8" [22.2 mm],  
1 3/32" [27.8 mm], 1 1/2" [50 mm] DIA. KNOCKOUTS.

LOW VOLTAGE CONNECTION  
3/4" [15.9 mm] AND 7/8" [22.2 mm] KNOCKOUT

AUXILIARY DRAIN CONNECTION  
3/4" [19.1 mm] FEMALE PIPE THREAD (NPT)  
HORIZONTAL APPLICATION ONLY

PRIMARY DRAIN CONNECTION  
3/4" [19.1 mm] FEMALE PIPE THREAD (NPT)

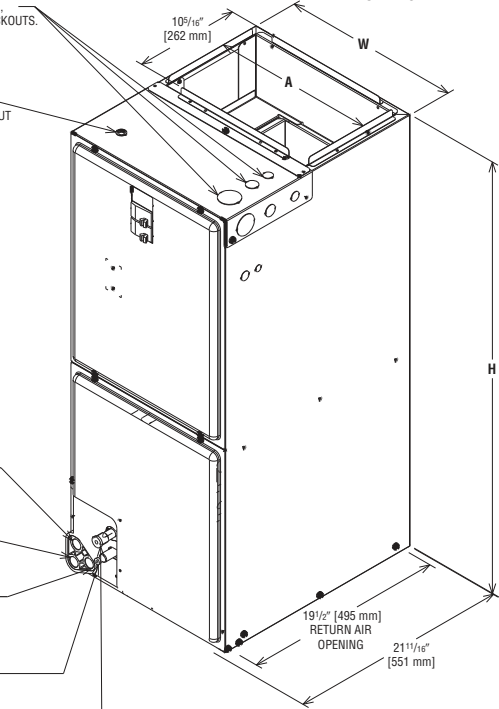
AUXILIARY DRAIN CONNECTION  
3/4" [19.1 mm] FEMALE PIPE THREAD (NPT)  
UPFLOW/DOWNFLOW APPLICATION ONLY

LIQUID LINE CONNECTION  
COPPER (SWEAT)

VAPOR LINE CONNECTION  
COPPER (SWEAT)

SUPPLY AIR ↑

NOTE: 24" CLEARANCE REQUIRED IN FRONT OF UNIT FOR FILTER AND COIL MAINTENANCE.



UPFLOW UNIT SHOWN:  
UNIT MAY BE INSTALLED UPFLOW, DOWNFLOW,  
HORIZONTAL RIGHT OR LEFT AIR SUPPLY.

## Return Air Opening Dimensions

| Model Cabinet Size | Return Air Opening Width (Inches) | Return Air Opening Depth/Length (Inches) |
|--------------------|-----------------------------------|--|
| 17                 | 15 7/8                            | 19 3/4                                   |
| 21                 | 19 3/8                            | 19 3/4                                   |
| 24                 | 22 7/8                            | 19 3/4                                   |

HORIZONTAL ADAPTER KIT

VAPOR LINE CONNECTION

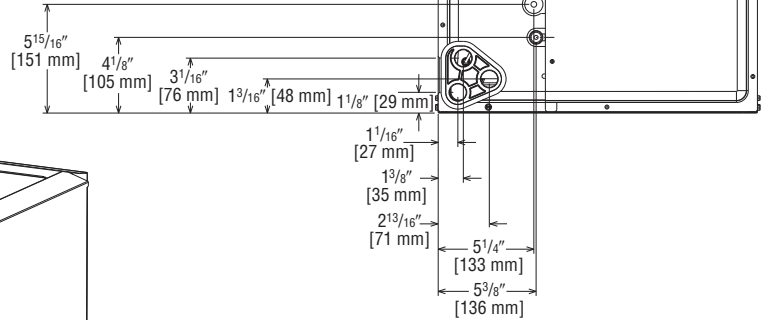
AUXILIARY HORIZONTAL DRAIN CONNECTION

PRIMARY DRAIN CONNECTION

AUXILIARY UPFLOW/DOWNFLOW DRAIN CONNECTION

LIQUID LINE CONNECTION

VERTICAL DRAIN PAN



UPFLOW UNIT SHOWN:  
UNIT MAY BE INSTALLED UPFLOW,  
DOWNFLOW, HORIZONTAL RIGHT  
OR LEFT AIR SUPPLY.

[ ] Designates Metric Conversions

( ) Designates Unit with Double Coil Cabinet

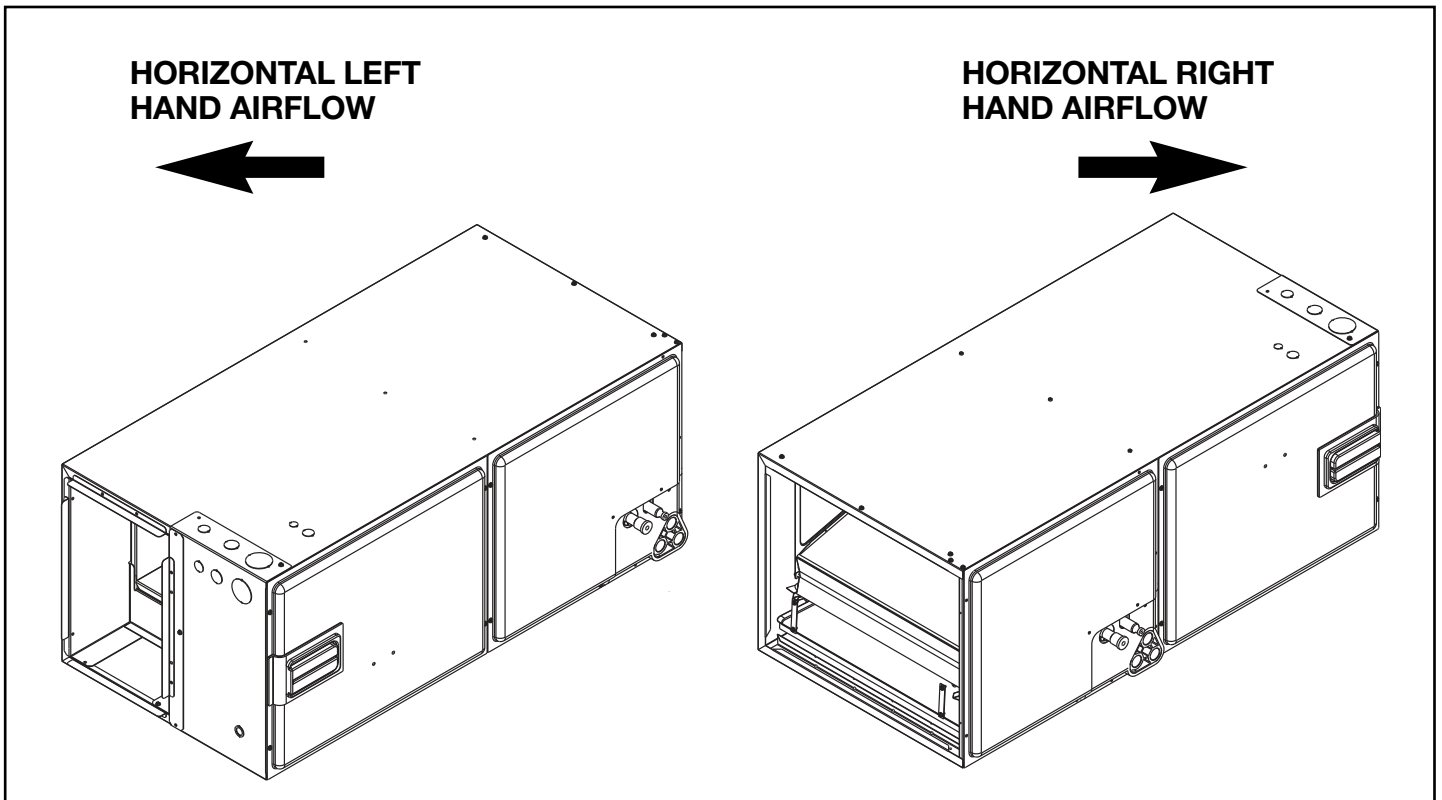
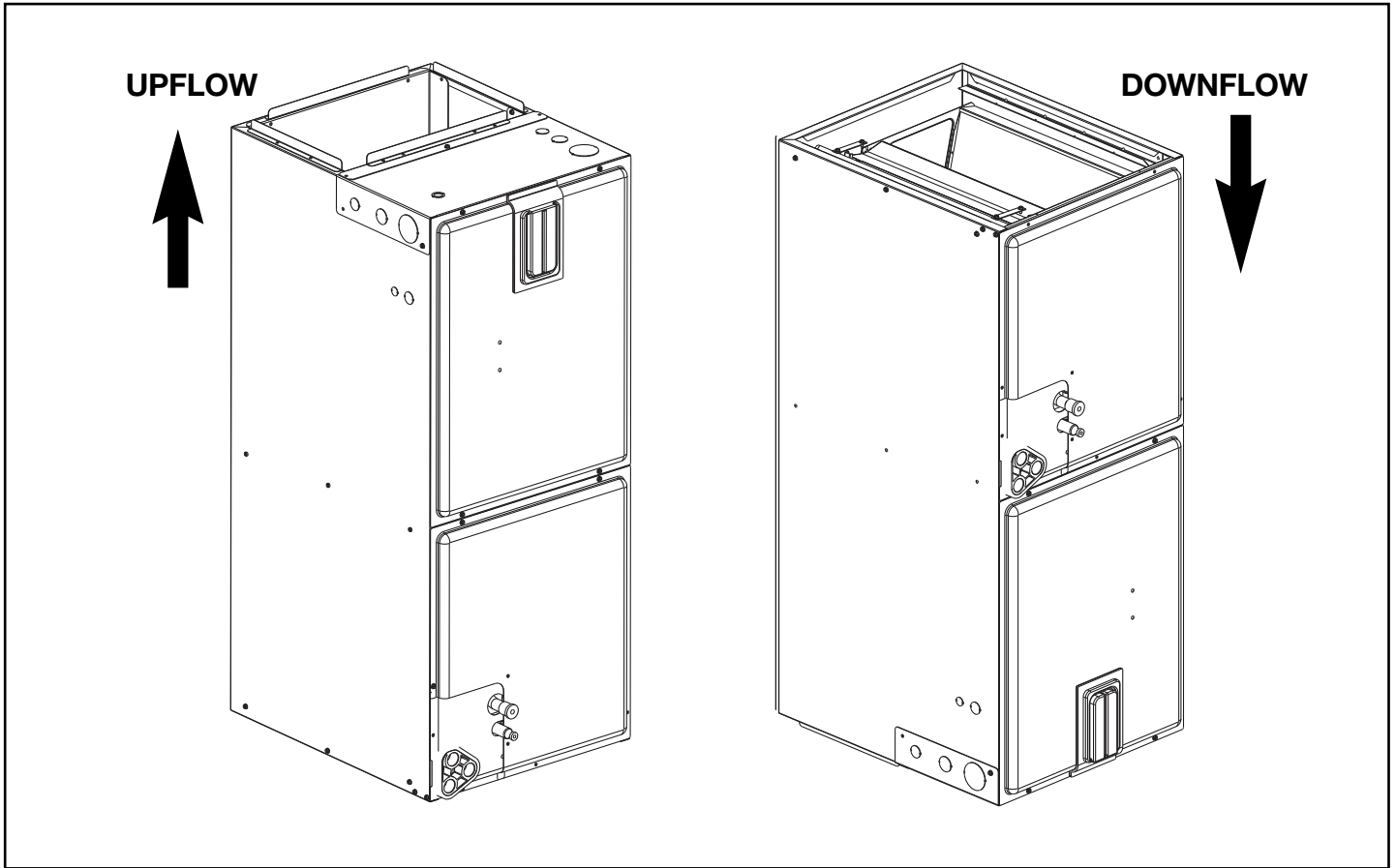
### Unit Dimensions & Weights

| Model Size<br>RH1T | Refrigerant Connections<br>Sweat (In.) [mm] ID |             | Unit Width<br>"W" In. [mm] | Unit Height<br>"H" In. [mm] | Supply Duct<br>"A" In. [mm] | Air Flow<br>CFM (Nom.) [L/s] |            | Unit Weight/Shipping Weight<br>(Lbs.) [kg] |
|--------------------|--|-------------|----------------------------|-----------------------------|-----------------------------|------------------------------|------------|--|
|                    | Liquid   | Vapor       |                            |                             |                             | Lo                           | Hi         | Unit With<br>Coil (Max. KW)                |
| 2417SP             | 3/8 [9.53]                                     | 3/4 [19.05] | 17 1/2 [445]               | 42 1/2 [1080]               | 16 [406]                    | 600 [283]                    | 800 [378]  | 92/106 [42/48]                             |
| 3617SP             | 3/8 [9.53]                                     | 3/4 [19.05] | 17 1/2 [445]               | 42 1/2 [1080]               | 16 [406]                    | 1000 [472]                   | 1200 [566] | 96/110 [44/50]                             |
| 4821SP             | 3/8 [9.53]                                     | 7/8 [22.23] | 21 [533]                   | 50 1/2 [1282]               | 19 1/2 [495]                | 1400 [661]                   | 1600 [755] | 128/144 [56/65]                            |

\*Maximum dehumidification airflow.

[ ] Designates Metric Conversions

## Airflow Directional Data



## Airflow Performance

**Airflow performance data is based on cooling performance with a coil and no filter in place.** Select performance table for appropriate unit size, voltage and number of electric heaters to be used. Make sure external static applied to unit allows operation within the minimum and maximum limits shown in table

below for both cooling and electric heat operation. For optimum blower performance, operate the unit in the .3 [8 mm] to .7 inches [18 mm] W.C. external static range. Units with coils should be applied with a minimum of .1 inch [3 mm] W.C. external static range.

## Airflow Operating Limits

| Model Cabinet Width   | 17              | 17/21            | 21               |
|---|-----------------|------------------|------------------|
| Cooling BTUH x 1,000  | -24             | -36              | -48              |
| Cooling Tons Nominal  | 2               | 3                | 4                |
| Heat Pump or Air Conditioning<br>Maximum Heat/Cool CFM [L/s]<br>(37.5 CFM [18 L/s]/1,000 BTUH)<br>(450 CFM [212 L/s]/Ton Nominal) | 900<br>[425]    | 1350<br>[637]    | 1800<br>[850]    |
| Heat Pump or Air Conditioning<br>Nominal Heat/Cool CFM [L/s]<br>(33.3 CFM [16 L/s]/1,000 BTUH)<br>(400 CFM [189 L/s]/Ton Nominal) | 800<br>[378]    | 1200<br>[566]    | 1600<br>[755]    |
| Heat Pump or Air Conditioning<br>Minimum Heat/Cool CFM [L/s]<br>(30.0 CFM [14 L/s]/1,200 BTUH)<br>(360 CFM [170 L/s]/Ton Nominal) | 720<br>[340]    | 1080<br>[510]    | 1440<br>[680]    |
| Maximum kW Electric Heating<br>& Minimum Electric Heat CFM [L/s]  | 13<br>617 [291] | 18<br>1054 [497] | 25<br>1502 [709] |
| Maximum Electric Heat Rise °F [°C]  | 63 [17.2]       | 51 [10.6]        | 50 [10]          |

[ ] Designates Metric Conversions





Air

**115V/208V/240V Airflow Performance Data—RH1T (Piston)**

| Model No.<br>RH1T              | Tonnage Application | Motor Speed From Factory | Manufacturer Recommended Air-Flow Range (Min/Max) CFM | Blower Size/ Motor HP [W] # of Speed | Motor Speed | c  |            |            |            |            |            |            |            |   |   |
|--------------------------------|---------------------|--------------------------|---|--------------------------------------|-------------|--|------------|------------|------------|------------|------------|------------|------------|---|---|
|                                |                     |                          |   |                                      |             | External Static Pressure—Inches W.C. [kPa] |            |            |            |            |            |            |            |   |   |
|                                |                     |                          |   |                                      |             | 0.1 [.02]                                  | 0.2 [.05]  | 0.3 [.07]  | 0.4 [.10]  | 0.5 [.12]  | 0.6 [.15]  | 0.7 [.17]  |            |   |   |
| 2417SP<br>No Heat              | 1.5 Ton             | 5                        | 683/485<br>[322/229 L/s]                              | 10x8<br>1/3 HP [249]<br>5 Speed      | 2           | CFM  | 837 [395]  | 713 [366]  | 608 [287]  | 554 [261]  | 485 [229]  | —          | —          |   |   |
|                                |                     |                          |   |                                      |             | RPM  | 565        | 587        | 630        | 692        | 751        | —          | —          |   |   |
|                                |                     |                          |   |                                      |             | Watts                                      | 95         | 81         | 88         | 74         | 66         | —          | —          |   |   |
|                                |                     |                          |   |                                      | 3           | CFM  | —          | —          | —          | —          | 683 [322]  | 615 [290]  | 572 [270]  | — | — |
|                                |                     |                          |   |                                      |             | RPM  | —          | —          | —          | —          | 789        | 842        | 892        | — | — |
|                                |                     |                          |   |                                      |             | Watts                                      | —          | —          | —          | —          | 140        | 159        | 155        | — | — |
| 2417SP<br>with 13 kW<br>Heater | 1.5 Ton             | 5                        | 683/485<br>[322/229 L/s]                              | 10x8<br>1/3 HP [249]<br>5 Speed      | 2           | CFM  | 814 [384]  | 692 [326]  | 589 [278]  | 535 [252]  | 467 [220]  | —          | —          |   |   |
|                                |                     |                          |   |                                      |             | RPM  | 592        | 613        | 656        | 719        | 778        | —          | —          |   |   |
|                                |                     |                          |   |                                      |             | Watts                                      | 108        | 90         | 97         | 82         | 73         | —          | —          |   |   |
|                                |                     |                          |   |                                      | 3           | CFM  | —          | —          | —          | —          | 808 [381]  | 629 [297]  | 584 [276]  | — | — |
|                                |                     |                          |   |                                      |             | RPM  | —          | —          | —          | —          | 789        | 842        | 892        | — | — |
|                                |                     |                          |   |                                      |             | Watts                                      | —          | —          | —          | —          | 148        | 168        | 163        | — | — |
| 2417SP<br>No Heat              | 2 Ton               | 5                        | 858/697<br>[405/329 L/s]                              | 10x8<br>1/3 HP [249]<br>5 Speed      | 4           | CFM  | 902 [426]  | 846 [399]  | 788 [372]  | 742 [350]  | 679 [320]  | —          | —          |   |   |
|                                |                     |                          |   |                                      |             | RPM  | 596        | 645        | 694        | 741        | 791        | —          | —          |   |   |
|                                |                     |                          |   |                                      |             | Watts                                      | 105        | 108        | 116        | 121        | 130        | —          | —          |   |   |
|                                |                     |                          |   |                                      | 5           | CFM  | —          | —          | —          | —          | 858 [276]  | 816 [385]  | 770 [363]  | — | — |
|                                |                     |                          |   |                                      |             | RPM  | —          | —          | —          | —          | 834        | 879        | 925        | — | — |
|                                |                     |                          |   |                                      |             | Watts                                      | —          | —          | —          | —          | 185        | 182        | 214        | — | — |
| 2417SP<br>with 13 kW<br>Heater | 2 Ton               | 5                        | 683/485<br>[322/229 L/s]                              | 10x8<br>1/3 HP [249]<br>5 Speed      | 4           | CFM  | 882 [416]  | 827 [390]  | 769 [363]  | 723 [341]  | 661 [312]  | —          | —          |   |   |
|                                |                     |                          |   |                                      |             | RPM  | 595        | 670        | 719        | 767        | 817        | —          | —          |   |   |
|                                |                     |                          |   |                                      |             | Watts                                      | 113        | 125        | 124        | 129        | 197        | —          | —          |   |   |
|                                |                     |                          |   |                                      | 5           | CFM  | —          | —          | —          | —          | 833 [393]  | 791 [373]  | 746 [352]  | — | — |
|                                |                     |                          |   |                                      |             | RPM  | —          | —          | —          | —          | 852        | 898        | 944        | — | — |
|                                |                     |                          |   |                                      |             | Watts                                      | —          | —          | —          | —          | 192        | 189        | 222        | — | — |
| 3617SP<br>No Heater            | 2.5 Ton             | 5                        | 935/1084 CFM<br>[441/512 L/s]                         | 10x8<br>1/2 HP [373]<br>5 Speed      | 2           | CFM  | 1093 [516] | 1050 [496] | 1017 [480] | 977 [461]  | 935 [441]  | —          | —          |   |   |
|                                |                     |                          |   |                                      |             | RPM  | 671        | 725        | 764        | 809        | 852        | —          | —          |   |   |
|                                |                     |                          |   |                                      |             | Watts                                      | 153        | 168        | 174        | 180        | 188        | —          | —          |   |   |
|                                |                     |                          |   |                                      | 3           | CFM  | —          | —          | —          | —          | 1084 [512] | 1040 [491] | 1001 [472] | — | — |
|                                |                     |                          |   |                                      |             | RPM  | —          | —          | —          | —          | 896        | 936        | 971        | — | — |
|                                |                     |                          |   |                                      |             | Watts                                      | —          | —          | —          | —          | 249        | 257        | 261        | — | — |
| 3617SP<br>with 18 kW<br>Heater | 2.5 Ton             | 5                        | 910/1059 CFM<br>[429/500 L/s]                         | 10x8<br>1/2 HP [373]<br>5 Speed      | 2           | CFM  | 1068 [504] | 1025 [484] | 992 [468]  | 952 [449]  | 910 [429]  | —          | —          |   |   |
|                                |                     |                          |   |                                      |             | RPM  | 711        | 765        | 804        | 849        | 892        | —          | —          |   |   |
|                                |                     |                          |   |                                      |             | Watts                                      | 164        | 179        | 185        | 191        | 199        | —          | —          |   |   |
|                                |                     |                          |   |                                      | 3           | CFM  | —          | —          | —          | —          | 1059 [500] | 1015 [479] | 976 [461]  | — | — |
|                                |                     |                          |   |                                      |             | RPM  | —          | —          | —          | —          | 936        | 976        | 1011       | — | — |
|                                |                     |                          |   |                                      |             | Watts                                      | —          | —          | —          | —          | 260        | 268        | 272        | — | — |
| 3617SP<br>No Heater            | 3 Ton               | 5                        | 1130/1275 CFM<br>[533/602 L/s]                        | 10x8<br>1/2 HP [373]<br>5 Speed      | 4           | CFM  | 1270 [599] | 1237 [584] | 1199 [566] | 1165 [550] | 1130 [533] | —          | —          |   |   |
|                                |                     |                          |   |                                      |             | RPM  | 775        | 816        | 846        | 882        | 926        | —          | —          |   |   |
|                                |                     |                          |   |                                      |             | Watts                                      | 237        | 249        | 259        | 268        | 277        | —          | —          |   |   |
|                                |                     |                          |   |                                      | 5           | CFM  | —          | —          | —          | —          | 1275 [602] | 1244 [587] | 1211 [571] | — | — |
|                                |                     |                          |   |                                      |             | RPM  | —          | —          | —          | —          | 963        | 999        | 1029       | — | — |
|                                |                     |                          |   |                                      |             | Watts                                      | —          | —          | —          | —          | 338        | 348        | 363        | — | — |
| 3617SP<br>with 18 kW<br>Heater | 3 Ton               | 5                        | 1105/1250 CFM<br>[521/590 L/s]                        | 10x8<br>1/2 HP [373]<br>5 Speed      | 4           | CFM  | 1245 [588] | 1212 [572] | 1174 [554] | 1140 [538] | 1105 [521] | —          | —          |   |   |
|                                |                     |                          |   |                                      |             | RPM  | 815        | 856        | 886        | 922        | 966        | —          | —          |   |   |
|                                |                     |                          |   |                                      |             | Watts                                      | 248        | 260        | 270        | 279        | 288        | —          | —          |   |   |
|                                |                     |                          |   |                                      | 5           | CFM  | —          | —          | —          | —          | 1250 [590] | 1219 [575] | 1186 [560] | — | — |
|                                |                     |                          |   |                                      |             | RPM  | —          | —          | —          | —          | 1003       | 1039       | 1069       | — | — |
|                                |                     |                          |   |                                      |             | Watts                                      | —          | —          | —          | —          | 349        | 359        | 374        | — | — |

[ ] Designates Metric Conversions



## 115V/208V/240V Airflow Performance Data—RH1T (Piston) (con't.)

| Model No.<br>RH1T              | Tonnage Application | Motor Speed From Factory | Manufacturer Recommended Air-Flow Range (Min/Max) CFM | Blower Size/ Motor HP [W] # of Speed | Motor Speed | CFM [L/s] Air Delivery/RPM/Watts (No Filter) |            |            |            |            |            |            |            |
|--------------------------------|---------------------|--------------------------|---|--------------------------------------|-------------|--|------------|------------|------------|------------|------------|------------|------------|
|                                |                     |                          |   |                                      |             | External Static Pressure—Inches W.C. [kPa]   |            |            |            |            |            |            |            |
|                                |                     |                          |   |                                      |             | 0.1 [.02]                                    | 0.2 [.05]  | 0.3 [.07]  | 0.4 [.10]  | 0.5 [.12]  | 0.6 [.15]  | 0.7 [.17]  |            |
| 4821SP<br>No Heater            | 3.5 Ton             | 5                        | 1337/1447 CFM<br>[631/683 L/s]                        | 10x10<br>3/4 HP [559]<br>5 Speed     | 2           | CFM  | 1473 [695] | 1442 [681] | 1401 [661] | 1373 [648] | 1337 [631] | —          | —          |
|                                |                     |                          |   |                                      |             | RPM  | 781        | 825        | 867        | 905        | 949        | —          | —          |
|                                |                     |                          |   |                                      |             | Watts  | 257        | 271        | 303        | 307        | 315        | —          | —          |
|                                |                     |                          |   |                                      | 3           | CFM  | —          | —          | —          | —          | 1447 [683] | 1433 [676] | 1402 [662] |
|                                |                     |                          |   |                                      |             | RPM  | —          | —          | —          | —          | 987        | 1034       | 1065       |
|                                |                     |                          |   |                                      |             | Watts  | —          | —          | —          | —          | 394        | 406        | 405        |
| 4821SP<br>with 20 kW<br>Heater | 3.5 Ton             | 5                        | 1297/1333 CFM<br>[612/629 L/s]                        | 10x10<br>3/4 HP [559]<br>5 Speed     | 2           | CFM  | 1433 [676] | 1402 [662] | 1361 [642] | 1333 [629] | 1297 [612] | —          | —          |
|                                |                     |                          |   |                                      |             | RPM  | 831        | 875        | 919        | 954        | 989        | —          | —          |
|                                |                     |                          |   |                                      |             | Watts  | 277        | 295        | 313        | 319        | 325        | —          | —          |
|                                |                     |                          |   |                                      | 3           | CFM  | —          | —          | —          | —          | 1333 [629] | 1300 [613] | 1267 [598] |
|                                |                     |                          |   |                                      |             | RPM  | —          | —          | —          | —          | 1011       | 1046       | 1080       |
|                                |                     |                          |   |                                      |             | Watts  | —          | —          | —          | —          | 350        | 364        | 377        |
| 4821SP<br>No Heater            | 4 Ton               | 5                        | 1535/1654 CFM<br>[724/781 L/s]                        | 10x10<br>3/4 HP [559]<br>5 Speed     | 4           | CFM  | 1665 [786] | 1631 [770] | 1601 [756] | 1572 [742] | 1535 [724] | —          | —          |
|                                |                     |                          |   |                                      |             | RPM  | 853        | 893        | 934        | 968        | 1015       | —          | —          |
|                                |                     |                          |   |                                      |             | Watts  | 351        | 387        | 401        | 406        | 422        | —          | —          |
|                                |                     |                          |   |                                      | 5           | CFM  | —          | —          | —          | —          | 1654 [781] | 1624 [766] | 1563 [738] |
|                                |                     |                          |   |                                      |             | RPM  | —          | —          | —          | —          | 1036       | 1078       | 1095       |
|                                |                     |                          |   |                                      |             | Watts  | —          | —          | —          | —          | 500        | 513        | 523        |
| 4821SP<br>with 25 kW<br>Heater | 4 Ton               | 5                        | 1495/1614 CFM<br>[706/762 L/s]                        | 10x10<br>3/4 HP [559]<br>5 Speed     | 4           | CFM  | 1625 [767] | 1591 [751] | 1561 [737] | 1532 [723] | 1495 [706] | —          | —          |
|                                |                     |                          |   |                                      |             | RPM  | 894        | 932        | 970        | 1020       | 1052       | —          | —          |
|                                |                     |                          |   |                                      |             | Watts  | 389        | 400        | 410        | 430        | 450        | —          | —          |
|                                |                     |                          |   |                                      | 5           | CFM  | —          | —          | —          | —          | 1614 [762] | 1584 [748] | 1523 [719] |
|                                |                     |                          |   |                                      |             | RPM  | —          | —          | —          | —          | 1085       | 1090       | 1105       |
|                                |                     |                          |   |                                      |             | Watts  | —          | —          | —          | —          | 514        | 520        | 530        |

- Notes:
- All 208/240V PSC motors have voltage taps for 208 and 240 volts.
  - All 208/240V PSC motors are shipped on high speed and 240 volts.
  - If the application external static is less than 0.5" WC, adjust the motor speed to the low static speed as described below:
    - Unplug the black motor wire off the relay on the control board and plug in the red motor wire.
    - Replace the cap on the black motor wire.
  - Voltage change (208/240V motors):
    - Move the orange lead to transformer 208V tap from 240V tap. Replace the wire cap on 240V tap.
    - Unplug the purple motor wire off the transformer and plug in the yellow motor wire.
    - Replace the cap on the purple motor wire.
  - The above airflow table lists the airflow information for air handlers without heater and air handler with maximum heater allowed for each model.
  - The following formula can be used to calculate the approximate airflow, if a smaller (N kW) than the maximum heater kit is installed.  
 Approximate Airflow = Airflow without heater - (Airflow without heater - Airflow with maximum heater) x (N kW/maximum heater kW)

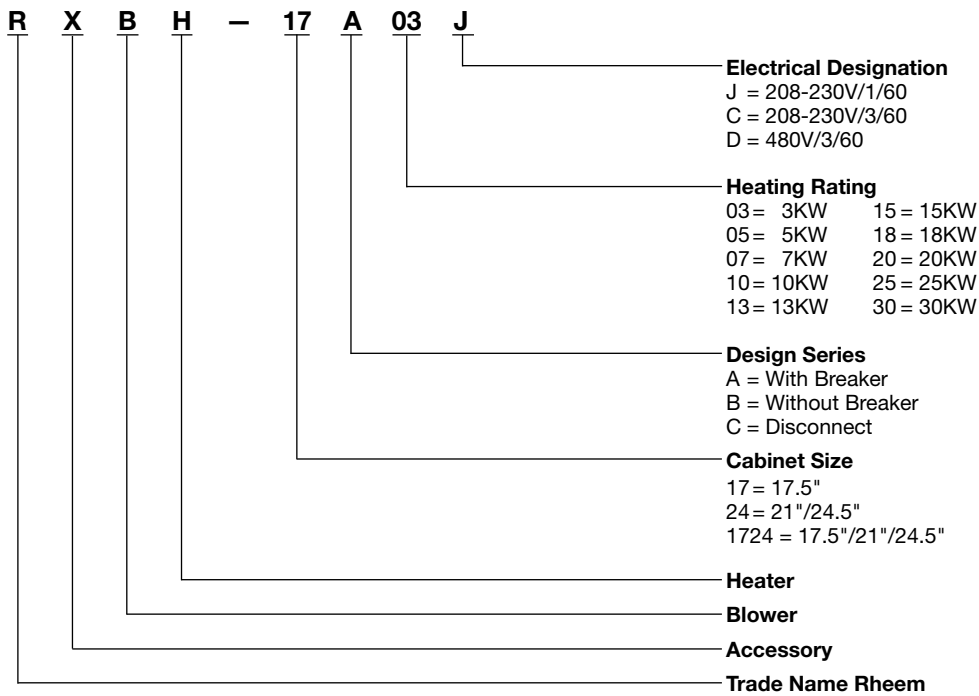
[ ] Designates Metric Conversions

## Electrical Data – Blower Motor Only – No Electric Heat RH1T (Piston)

| Model RH1T | Voltage | Application Phase* | Hertz | HP [W]    | RPM      | Speeds | Circuit Amps. | Minimum Circuit Ampacity | Maximum Circuit Protector |
|------------|---------|--------------------|-------|-----------|----------|--------|---------------|--------------------------|---------------------------|
| 2417SP     | 208/240 | 1 & 3              | 60    | 1/3 [249] | 300-1100 | 4      | 1.6           | 2                        | 15                        |
| 3617SP     |         |                    |       | 1/2 [373] | 300-1100 | 4      | 2.7           | 4                        | 15                        |
| 4821SP     |         |                    |       | 3/4 [559] | 300-1100 | 4      | 3.8           | 5                        | 15                        |
| 2417SP     | 115     | 1                  | 60    | 1/3 [249] | 300-1100 | 4      | 4.8           | 6                        | 15                        |
| 3617SP     |         |                    |       | 1/2 [373] | 300-1100 | 4      | 6.8           | 9                        | 15                        |
| 4821SP     |         |                    |       | 3/4 [559] | 300-1100 | 4      | 8.4           | 11                       | 15                        |

\* Blower motors are all single phase motors.

[ ] Designates Metric Conversions



## Electrical Data – With Electric Heat RH1T (Piston)

Installation of the U.L. Listed original equipment manufacturer provided heater kits listed in the following table is recommended for all auxiliary heating requirements.

| Air Handler Model RH1T | Heater Model No. | Heater kW (208/240V) (480V) | PH/HZ | No. Elements kW Per | Type Supply Circuit Single Circuit Multiple | Circuit Amps. | Motor Ampacity | Minimum Circuit Ampacity | Maximum Circuit Protector |
|------------------------|------------------|-----------------------------|-------|---------------------|---|---------------|----------------|--------------------------|---------------------------|
| 2417SPAN               | RXBH-17?03J      | 2.2/3                       | 1/60  | 1 - 3               | SINGLE                                      | 10.8/12.5     | 2.8            | 18/20                    | 20/20                     |
|                        | RXBH-1724?05J    | 3.6/4.8                     | 1/60  | 1 - 4.8             | SINGLE                                      | 17.3/20       | 2.8            | 26/29                    | 30/30                     |
|                        | RXBH-1724?07J    | 5.4/7.2                     | 1/60  | 2 - 3.6             | SINGLE                                      | 26/30         | 1.6            | 35/40                    | 35/40                     |
|                        | RXBH-1724?10J    | 7.2/9.6                     | 1/60  | 2 - 4.8             | SINGLE                                      | 34.6/40       | 2.8            | 47/54                    | 50/60                     |
|                        | RXBH-1724A10C    | 7.2/9.6                     | 3/60  | 3 - 3.2             | SINGLE                                      | 20/23.1       | 2.8            | 29/33                    | 30/35                     |
|                        | RXBH-1724A13J    | 9.4/12.5                    | 1/60  | 3 - 4.17            | SINGLE                                      | 45.1/52.1     | 2.8            | 60/69                    | 60/70                     |
|                        | RXBH-1724A13J    | 3.1/4.2                     | 1/60  | 1 - 4.17            | MULTIPLE CKT 1                              | 15/17.4       | 2.8            | 23/26                    | 25/30                     |
|                        | RXBH-1724A13J    | 6.3/8.3                     | 1/60  | 2 - 4.17            | MULTIPLE CKT 2                              | 30.1/34.7     | 0              | 38/44                    | 40/45                     |
| 3617SPAN               | RXBH-17?03J      | 2.2/3                       | 1/60  | 1 - 3               | SINGLE                                      | 10.8/12.5     | 4.1            | 19/21                    | 20/25                     |
|                        | RXBH-1724?05J    | 3.6/4.8                     | 1/60  | 1 - 4.8             | SINGLE                                      | 17.3/20       | 4.1            | 27/31                    | 30/35                     |
|                        | RXBH-1724?07J    | 5.4/7.2                     | 1/60  | 2 - 3.6             | SINGLE                                      | 26/30         | 4.1            | 38/43                    | 40/45                     |
|                        | RXBH-1724?10J    | 7.2/9.6                     | 1/60  | 2 - 4.8             | SINGLE                                      | 34.6/40       | 4.1            | 49/56                    | 50/60                     |
|                        | RXBH-1724A10C    | 7.2/9.6                     | 3/60  | 3 - 3.2             | SINGLE                                      | 20/23.1       | 4.1            | 31/35                    | 35/35                     |
|                        | RXBH-1724A13J    | 9.4/12.5                    | 1/60  | 3 - 4.17            | SINGLE                                      | 45.1/52.1     | 4.1            | 62/71                    | 70/80                     |
|                        | RXBH-1724A13J    | 3.1/4.2                     | 1/60  | 1 - 4.17            | MULTIPLE CKT 1                              | 15/17.4       | 4.1            | 24/27                    | 25/30                     |
|                        | RXBH-1724A13J    | 6.3/8.3                     | 1/60  | 2 - 4.17            | MULTIPLE CKT 2                              | 30.1/34.7     | 0              | 38/44                    | 40/45                     |
|                        | RXBH-1724A15C    | 10.8/14.4                   | 3/60  | 3 - 4.8             | SINGLE                                      | 30/34.6       | 4.1            | 43/49                    | 45/50                     |
|                        | RXBH-1724A15J    | 10.8/14.4                   | 1/60  | 3 - 4.8             | SINGLE                                      | 51.9/60       | 4.1            | 70/81                    | 70/90                     |
|                        | RXBH-1724A15J    | 3.6/4.8                     | 1/60  | 1 - 4.8             | MULTIPLE CKT 1                              | 17.3/20       | 4.1            | 27/31                    | 30/35                     |
|                        | RXBH-1724A15J    | 7.2/9.6                     | 1/60  | 2 - 4.8             | MULTIPLE CKT 2                              | 34.6/40       | 0              | 44/50                    | 45/50                     |
|                        | RXBH-1724A18J    | 12.8/17                     | 1/60  | 3 - 5.67            | SINGLE                                      | 61.6/70.8     | 4.1            | 83/94                    | 90/100                    |
|                        | RXBH-1724A18J    | 4.3/5.7                     | 1/60  | 1 - 5.67            | MULTIPLE CKT 1                              | 20.5/23.6     | 4.1            | 31/35                    | 35/35                     |
|                        | RXBH-1724A18J    | 8.5/11.3                    | 1/60  | 2 - 5.67            | MULTIPLE CKT 2                              | 41.1/47.2     | 0              | 52/60                    | 60/60                     |

- Supply circuit protective devices may be fuses or “HACR” type circuit breakers.
- Largest motor load is included in single circuit and multiple circuit 1.
- If non-standard fuse size is specified, use next size larger standard fuse size.
- J Voltage (230V) single phase air handler is designed to be used with single or three phase 230 volt electric heaters. In the case of connecting 3-phase power to the air handler terminal block without the heater, bring only two leads to the terminal block cap, insulate and fully secure the third lead.

[ ] Designates Metric Conversions

## Electrical Data – With Electric Heat RH1T (Piston) (Cont.)

Installation of the U.L. Listed original equipment manufacturer provided heater kits listed in the following table is recommended for all auxiliary heating requirements.

| Air Handler Model RH1T | Heater Model No. | Heater kW (208/240V) (480V) | PH/HZ | No. Elements kW Per | Type Supply Circuit Single Circuit Multiple | Circuit Amps. | Motor Ampacity | Minimum Circuit Ampacity | Maximum Circuit Protector |
|------------------------|------------------|-----------------------------|-------|---------------------|---|---------------|----------------|--------------------------|---------------------------|
| 4821SP                 | RXBH-1724A18J    | 12.8/17                     | 1/60  | 3 - 5.67            | SINGLE                                      | 61.6/70.8     | 4.1            | 83/94                    | 90/100                    |
|                        | RXBH-1724A18J    | 4.3/5.7                     | 1/60  | 1 - 5.67            | MULTIPLE CKT 1                              | 20.5/23.6     | 4.1            | 31/35                    | 35/35                     |
|                        | RXBH-1724A18J    | 8.5/11.3                    | 1/60  | 2 - 5.67            | MULTIPLE CKT 2                              | 41.1/47.2     | 0              | 52/60                    | 60/60                     |
|                        | RXBH-24A20C      | 14.4/19.2                   | 3/60  | 6 - 3.2             | SINGLE                                      | 40/46.2       | 4.1            | 56/63                    | 60/70                     |
|                        | RXBH-24A20C      | 7.2/9.6                     | 3/60  | 3 - 3.2             | MULTIPLE CKT 1                              | 20/23.1       | 4.1            | 31/35                    | 35/35                     |
|                        | RXBH-24A20C      | 7.2/9.6                     | 3/60  | 3 - 3.2             | MULTIPLE CKT 2                              | 20/23.1       | 0              | 25/29                    | 25/30                     |
|                        | RXBH-24A20J      | 14.4/19.2                   | 1/60  | 4 - 4.8             | SINGLE                                      | 69.2/80       | 4.1            | 92/106                   | 100/110                   |
|                        | RXBH-24A20J      | 7.2/9.6                     | 1/60  | 2 - 4.8             | MULTIPLE CKT 1                              | 34.6/40       | 4.1            | 49/56                    | 50/60                     |
|                        | RXBH-24A20J      | 7.2/9.6                     | 1/60  | 2 - 4.8             | MULTIPLE CKT 2                              | 34.6/40       | 0              | 44/50                    | 45/50                     |
|                        | RXBH-24A25C      | 18/24                       | 3/60  | 6 - 4               | SINGLE                                      | 50/57.8       | 4.1            | 68/78                    | 70/80                     |
|                        | RXBH-24A25C      | 9/12                        | 3/60  | 3 - 4               | MULTIPLE CKT 1                              | 25/28.9       | 4.1            | 37/42                    | 40/45                     |
|                        | RXBH-24A25C      | 9/12                        | 3/60  | 3 - 4               | MULTIPLE CKT 2                              | 25/28.9       | 0              | 32/37                    | 35/40                     |
|                        | RXBH-24A25J      | 18/24                       | 1/60  | 6 - 4               | SINGLE                                      | 86.4/99.9     | 4.1            | 114/130                  | 125/150                   |
|                        | RXBH-24A25J      | 6/8                         | 1/60  | 2 - 4               | MULTIPLE CKT 1                              | 28.8/33.3     | 4.1            | 42/47                    | 45/50                     |
|                        | RXBH-24A25J      | 6/8                         | 1/60  | 2 - 4               | MULTIPLE CKT 2                              | 28.8/33.3     | 0              | 37/42                    | 40/45                     |
| RXBH-24A25J            | 6/8              | 1/60                        | 2 - 4 | MULTIPLE CKT 3      | 28.8/33.3                                   | 0             | 37/42          | 40/45                    |                           |

- Supply circuit protective devices may be fuses or "HACR" type circuit breakers.
- Largest motor load is included in single circuit and multiple circuit 1.
- If non-standard fuse size is specified, use next size larger standard fuse size.
- J Voltage (230V) single phase air handler is designed to be used with single or three phase 230 volt electric heaters. In the case of connecting 3-phase power to the air handler terminal block without the heater, bring only two leads to the terminal block cap, insulate and fully secure the third lead.

[ ] Designates Metric Conversions

## Electrical Wiring

### Power Wiring

- Field wiring must comply with the National Electrical Code (C.E.C. in Canada) and any applicable local ordinance.
- Supply wiring must be 75°C minimum copper conductors only.
- See electrical data for product Ampacity rating and Circuit Protector requirement.

## Accessories

### • Combustible Floor Base RXHB-

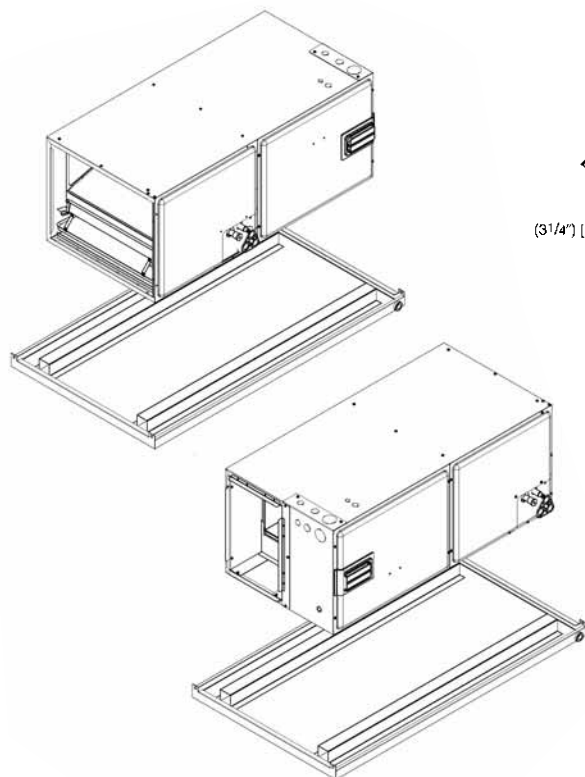
| Model Cabinet Size | Combustible Floor Base Model Number |
|--------------------|-------------------------------------|
| 17                 | RXHB-17                             |
| 21                 | RXHB-21                             |
| 24                 | RXHB-24                             |

- **Jumper Bar Kit 3 Ckt. to 1 Ckt. RXBJ-A31** is used to convert single phase multiple three circuit units to a single supply circuit. Kit includes cover and screw for line side terminals.
- **Jumper Bar Kit 2 Ckt. to 1 Ckt. RXBJ-A21** is used to convert single phase multiple two circuit units to a single supply circuit. Kit includes cover and screw for line side terminals.
- **Note:** No jumper bar kit is available to convert three phase multiple two circuit units to a single supply circuit.

### • Auxiliary Horizontal Overflow Pan Accessory RXBM-

| Nominal Cooling Capacity-Tons     | Auxiliary Horizontal Overflow Pan Accessory Model Number |
|-----------------------------------|--|
| 1 <sup>1</sup> / <sub>2</sub> - 3 | RXBM-AC48  |
| 3 <sup>1</sup> / <sub>2</sub> - 5 | RXBM-AC61  |

[ ] Designates Metric Conversions



### Grounding

- This product must be sufficiently grounded in accordance with National Electrical Code (C.E.C. in Canada) and any applicable local ordinance.
- A grounding lug is provided.

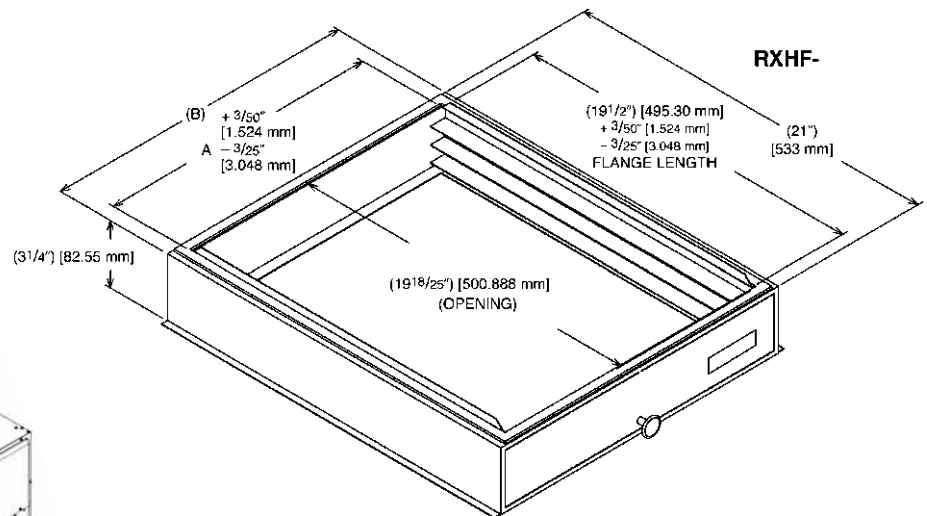
### • Auxiliary Electric Heater Kits RXBH-

Heater Kits include circuit breakers which meet UL and cUL requirements for service disconnect. See the Electric Heat Electrical Data in this specification sheet for specific Heater Kit Model numbers.

### • External Filter Base RXHF-

| Model Cabinet Size | Filter Size In. [mm] | Part Number* | A     | B    |
|--------------------|----------------------|--------------|-------|------|
| 17                 | 16 x 20 [406 x 508]  | RXHF-17      | 15.70 | 17.5 |
| 21                 | 20 x 20 [508 x 508]  | RXHF-21      | 19.20 | 21.0 |
| 24                 | 25 x 20 [635 x 508]  | RXHF-24      | 22.70 | 25.5 |

\*Accommodates 1" or 2" filter



**GENERAL TERMS OF LIMITED WARRANTY\***

Rheem will furnish a replacement for any part of this product which fails in normal use and service within the applicable periods stated, in accordance with the terms of the limited warranty.

Conditional Parts (Registration Required) .....Ten (10) Years

**\*For complete details of the Limited and Conditional Warranties, including applicable terms and conditions, contact your local contractor or the Manufacturer for a copy of the product warranty certificate.**



The new degree of comfort.™

*In keeping with its policy of continuous progress and product improvement, Rheem reserves the right to make changes without notice.*

Rheem Heating, Cooling & Water Heating • P.O. Box 17010  
Fort Smith, Arkansas 72917 • [www.rheem.com](http://www.rheem.com)

Rheem Canada Ltd./Ltée • 125 Edgeware Road, Unit 1  
Brampton, Ontario • L6Y 0P5



INTEGRATED HOME COMFORT

PRINTED IN U.S.A. 10/16 QG FORM NO. H11-559 REV. 1