



The new degree of comfort.®

Air | Gas Furnaces
R802T

THE COMFORT

YOU DESERVE

The Rheem® R802T *Classic Plus*® Series Gas Furnace offers comfort you can depend on, with energy-saving features that make a big impact on your monthly utility bills—making your wallet more comfortable, too.

Classic Plus Series R802T Gas Furnace
80% AFUE¹



Greater Comfort & Performance

A two-stage motor keeps you comfortable and increases the performance of your furnace.

Exceptional Quality & Dependability

Quality is in the details of the Rheem R802T *Classic Plus* Series Gas Furnace. It's engineered with the exclusive PlusOne® Ignition System—the most dependable system available.

Peace of Mind

Designed with patented features to ensure year-round reliability. And for added peace of mind, our gas furnace is backed by a 10-year conditional parts warranty and a limited lifetime heat exchanger warranty.²





Our Philosophy of Innovation

We meticulously evaluated every detail of this product from every angle, considering the work that goes into installing and servicing our products, as well as how we can deliver the very best homeowner experience. And then we take it a step further. That's 360°+1. And that's why you can count on your gas furnace to bring you and your family years of comfort.

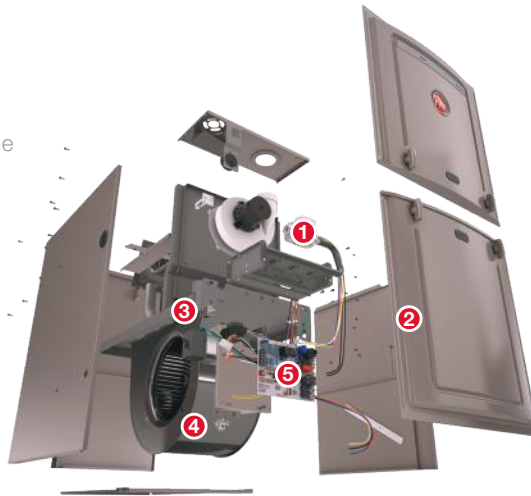


Engineered for Dependable Comfort

Industry-first patented features and 360°+1 engineering make the Rheem® R802T *Classic Plus*® Series Gas Furnace a smart option. From top to bottom, inside and out, and every angle in between, we've thought of everything to bring you efficient and dependable indoor comfort.

Save Energy & Money

The two-stage constant torque ECM motor maintains efficiency across a range of operating speeds, using less electrical energy than a standard PSC motor. The two-stage heating design primarily operates on low-speed, only temporarily switching to high during peak cold weather conditions. An energy-efficient motor also means a lower monthly utility bill. And this model may qualify for local and / or utility rebates, which can mean even more savings.



Dependability

Our *Classic Plus* Series Gas Furnace comes standard with the Rheem-exclusive **1 PlusOne® Ignition System**. This proven direct spark ignition (DSI) is one of the most reliable ignition systems available today. Used **exclusively by Rheem** in the heating and cooling industry, this technology is the same proven design used on ovens and stoves. Our patented heat exchanger is quick and easy to clean—when needed—by your local independent Rheem contractor. And a clean furnace is a long-running furnace.

Quiet Operation

This is the result of a **2 tighter door seal** that helps eliminate whistling. We've also added **3 rubber grommets** on the motor mounts and a **4 twist-lock wire harness in the blower shelf**. The result is an impressively quiet furnace.

Easy Installation & Maintenance

These features benefit consumers, too. This means savings on installation costs and faster, more cost-effective repairs during maintenance. The Rheem *Classic Plus* Series Gas Furnace is also designed with **5 PlusOne® Diagnostics**—our industry-first 7-segment LED display, a feature that makes service calls quick and easy.

Ready to upgrade or replace your old system?

Visit Rheem.com today to learn more.

Benefits At-A-Glance

PlusOne Ignition System:
Direct spark ignition

PlusOne Diagnostics:
7-segment LED display

PlusOne Energy Efficiency:
80% AFUE¹

Motor:
Two-stage constant torque ECM

Limited Warranty²:
Conditional parts—10 years
Heat exchanger—Limited Lifetime



Rheem Heating, Cooling
& Water Heating

As the only brand bringing innovative air and water solutions to homes and businesses around the world, Rheem continues to deliver advanced comfort, savings and experiences to our customers—just as we've done for nearly 100 years.

To learn more about our products, including our line of integrated home comfort solutions, visit us at Rheem.com



Rheem USA
5600 Old Greenwood Road
Fort Smith, Arkansas 72908



Rheem Canada Ltd. / Ltée.
125 Edgeware Road, Unit 1
Brampton, Ontario L6Y 0P5

In keeping with its policy of continuous progress and product improvement, Rheem reserves the right to make changes without notice.

Rheem.com

YOUR LOCAL RHEEM CONTRACTOR

¹Annual Fuel Utilization Efficiency (AFUE) measures the amount of heat delivered to a home compared to the amount of fuel that is supplied to the unit. Higher AFUE ratings reflect higher efficiency. ²For complete details of the limited and conditional warranties, including applicable terms and conditions, contact your local contractor or go to Rheem.com for a copy of the product warranty certificate. Conditional warranties must be registered through RegisterMyUnit.com.

