



The new degree of comfort.®

 Air | Gas Furnaces
R802V UF/HZ

PREMIUM COMFORT SO YOU CAN

ENJOY

WHAT MATTERS MOST

The EcoNet® Enabled Rheem® *Prestige*® Series Gas Furnace was designed with industry-exclusive features for years of worry-free comfort. It's also quiet, so you can stay focused on what matters most.

Prestige Series R802V Upflow / Horizontal
80% AFUE¹



Peace-of-Mind

In addition to many features to ensure years of dependability, our new gas furnace is backed by some of the best warranties in the industry.

Dependability

We're serious about the quality and dependability of our products. That's why our gas furnace is engineered with the exclusive PlusOne® Ignition System, one of the most dependable ignition systems on the market.

Efficiency

A two-stage, variable-speed motor delivers the right amount of heat for a more comfortable home and a lower utility bill.

Smart Controls & Alerts

Innovative EcoNet technology sends you important alerts and reminders to keep your system working at its best. Plus, it's easy to adjust your comfort settings from home or away².



We Thought of Everything... & Then Some

Designed to keep your family comfortable for years to come, the Rheem® *Prestige*® Series Gas Furnace was developed using our 360°+1 design philosophy. We strive to deliver the very best homeowner experience by evaluating every detail of a product from every angle. That's 360°+1. And that's why you can count on Rheem heating and cooling to bring you and your family years of comfort.

360°+1



Rheem-Exclusive
PlusOne® Ignition System



Industry-First
PlusOne® Diagnostics

We Did the Work So You Can Stay Comfortable

Our gas furnace line was already recognized as best in its class³, but that didn't stop us from making it better. We designed our new *Prestige* Series Gas Furnace to provide your home with dependable, quiet comfort for years to come.

Dependability

Rheem engineered this gas furnace with the **1 PlusOne Ignition System**. Our Direct Spark Ignition (DSI) is a Rheem-exclusive feature that's nine times more dependable than most hot surface igniters. It's also the same proven design used in commercial HVAC equipment and gas home appliances. Our patented heat exchanger is quick and easy to clean—when needed—by your local independent Rheem contractor. And a clean furnace is a long-running furnace.

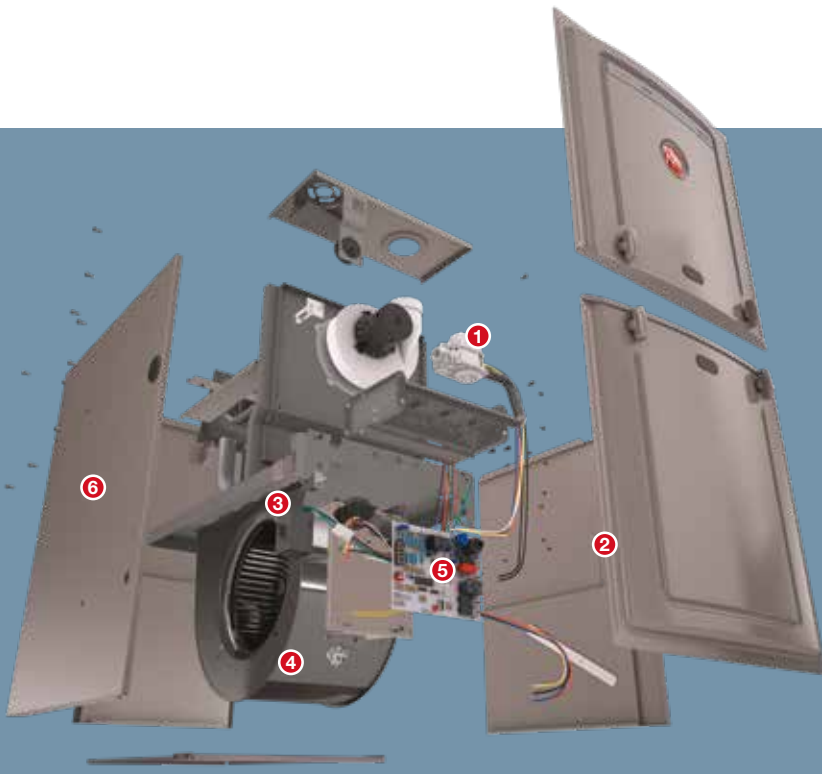
Quiet operation

The **2 tighter door seal** that helps eliminate whistling. We've also added **3 rubber grommets** on the motor mounts and a **4 twist-lock wire harness** in the blower shelf. The result is an impressively quiet furnace.

Fast & accurate diagnostics

The Rheem *Prestige* Series Gas Furnace features **5 PlusOne Diagnostics**, our industry-first 7-segment alphanumeric LED display that simplifies troubleshooting. Just in case there's a need, service calls are faster, which ultimately saves you money.





Engineered for High-Performance

- Two-stage operation – Provides superior comfort by knowing when to switch into high gear, so there is no need for you to adjust the thermostat
- Variable-speed motor – Uses less energy than a single-stage motor. It's engineered for better dehumidification, which provides you with better indoor air quality.

Enjoy greater comfort & performance

The two-stage operation that offers a more consistent indoor environment—keeps cold spots to a minimum. The two-stage heating design primarily operates on low speed, only temporarily switching to high during peak cold-weather conditions. And a variable-speed fan motor moves at different speeds to efficiently control air flow for a more comfortable environment. The R802V Upflow / Horizontal also delivers 80% AFUE¹, which means 80% of the fuel in your furnace is converted to heat.

Hassle-free installation

The 6 3/4" cabinet fits nicely in tight spaces allowing for both new construction and retrofit installations.



The *Prestige Series R802V Upflow / Horizontal Gas Furnace* is designed to operate with the EcoNet[®] Smart Thermostat. This easy-to-use thermostat optimizes system performance and includes great features like:

- Simple scheduling and one-touch energy savings
- Remote access via the EcoNet App
- Important equipment alerts sent directly to your phone or email
- Convenient voice control – just ask “Alexa, make home cooler”^{TM4}



EcoNet Mobile App



EcoNet Smart Thermostat





Our Philosophy of Innovation

We meticulously evaluated every detail of this product from every angle, considering the work that goes into installing and servicing our products, as well as how we can deliver the very best homeowner experience. And then we take it a step further. That's 360°+1. And that's why you can count on your gas furnace to bring you and your family years of comfort.



How to Speak Heating & Cooling

Single-Stage

One level of operation, with no differentiation between peak or non-peak heating demands.

Two-Stage

More than one level of operation, which saves energy during non-peak heating demands.

Efficiency

Description for how effectively incoming energy is converted to outgoing energy. The higher the number, the more efficient the unit—and the lower the operating costs.

AFUE

Annual Fuel Utilization Efficiency. Used to express the efficiency of gas furnaces. The higher the AFUE rating, the more efficient the unit.

Heat Exchanger

Responsible for transferring heat from furnace burners to the blower. Rheem uses some of the finest heat exchangers in the industry, offering limited lifetime warranties on some models.

Variable-Speed Motor

Used in higher-efficiency indoor and outdoor units. Automatically adjusts the flow of warm or cool air in your home for ultimate comfort.

Ready to upgrade or replace your old system?

Visit Rheem.com today to learn more.

Benefits At-A-Glance

PlusOne® Ignition System:
Direct spark ignition

PlusOne® Diagnostics:
7-segment LED display

Motor:
Two-stage, variable-speed ECM saves energy and maintains optimal comfort level

Efficiency:
80% AFUE¹

Sound Level:
Tighter door seals, rubber grommets and a twist-lock wire harness in the blower shelf ensure quiet operation

Limited Warranty⁵:
Parts—10-year
Heat exchanger—Limited Lifetime



Rheem Heating, Cooling
& Water Heating

As the only brand bringing innovative air and water solutions to homes and businesses around the world, Rheem® continues to deliver advanced comfort, savings and experiences to our customers—just as we've done for nearly 100 years.

To learn more about our products, including our line of Integrated Home Comfort Solutions, visit us at Rheem.com



Rheem USA
P.O. Box 17010
Fort Smith, Arkansas 72917



Rheem Canada Ltd. / Ltée
125 Edgeware Road, Unit 1
Brampton, Ontario L6Y 0P5

In keeping with its policy of continuous progress and product improvement, Rheem reserves the right to make changes without notice.

Rheem.com

YOUR LOCAL RHEEM CONTRACTOR

¹Annual Fuel Utilization Efficiency (AFUE) measures the amount of heat delivered to a home compared to the amount of fuel that is supplied to the unit. Higher AFUE ratings reflect higher efficiency. ²WiFi internet connection required. Download the EcoNet® App from the App Store® or Google Play® to set up your EcoNet Smart Thermostat. Receipt of notifications depend on home WiFi setup. ³80% Gas Furnace and A/C Focus Group Analysis/February 10, 2011. ⁴Amazon, Alexa and all related logos are trademarks of Amazon.com, Inc. or its affiliates. ⁵For complete details of the limited and conditional warranties, including applicable terms and conditions, contact your local contractor or go to Rheem.com for a copy of the product warranty certificate. Conditional warranties must be registered through RegisterMyUnit.com.

